



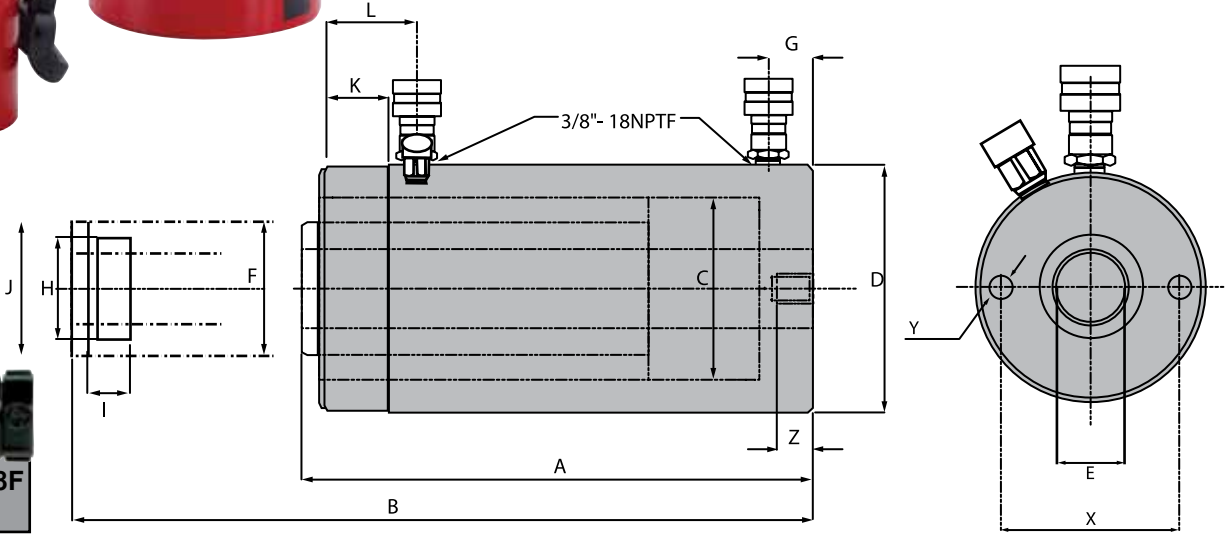
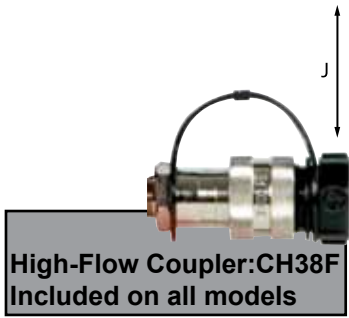
# BVA INDUSTRIAL HYDRAULIC EQUIPMENT

## HYDRAULICS

### DOUBLE ACTING HOLLOW HOLE CYLINDERS



- Ideal for pushing and pulling applications.
- Dual wipers help prevent contamination
- Collar thread protector
- 3/8" high flow female coupler
- Heavy duty compression spring



Cylinder Capacity		Stroke (in)	Mode Number	Oil Capacity		Collapsed Height (in)	Extended Height (in)	Center Hole I.D. (in)	Ram Plunger O.D. (in)	Max. Pressure (PSI)	Product Weight (Lbs.)
Push (ton)	Pull (ton)			Push (in <sup>3</sup> )	Pull (in <sup>3</sup> )						
30	20	7.00	HDC3007	44.31	27.74	13.02	20.02	1.31	2.48	10.000	43.0
		10.13	HDC3010	64.15	40.16	17.00	27.13	1.31	2.48	10.000	56.7
60	44	3.50	HDC6003	45.75	30.49	9.77	13.28	2.13	3.62	10.000	65.7
		6.50	HDC6006	84.81	56.53	12.76	19.26	2.13	3.62	10.000	81.1
		10.12	HDC6010	132.10	88.04	17.25	27.37	2.13	3.62	10.000	112.4
100	71	1.50	HDC10001	33.23	21.18	6.50	8.00	3.11	4.92	10.000	73.7
		3.00	HDC10003	66.47	42.37	10.00	13.00	3.11	4.92	10.000	113.3
		6.00	HDC10006	132.39	84.73	13.49	19.49	3.11	4.92	10.000	153.2
		10.13	HDC10010	224.52	143.11	18.14	28.27	3.11	4.92	10.000	198.9

Mode Number	Min. Height A (in)	Max. Height B (in)	Dia. of Center Tube C (in)	O.D.D (in)	Plunger						Collar Thread		Base Mounting Hole		
					I.D. E (in)	O.D. F (in)	Base to Inlet Port G (in)	Top to Return Port L (in)	Internal Thread H (in)	Internal Thread Length I (in)	Dia. J (in)	Length K (in)	Bolt Circle X (in)	Thread Y (in)	Thread Depth Z (in)
HDC3007	13.02	20.02	3.35	4.50	1.31	2.48	0.91	2.38	1 13/16"-16UN	0.94	4 1/2"-12	1.66	3.62	3/8"-16UNC	0.55
HDC3010	17.00	27.13	3.35	4.50	1.31	2.48	0.91	2.38	1 13/16"-16UN	0.94	4 1/2"-12	1.66	3.62	3/8"-16UNC	0.55
HDC6003	9.77	13.28	4.92	6.25	2.13	3.62	1.06	2.64	2 3/4"-16UN	0.83	6 1/4"-12	1.91	5.12	1/2" 13UNC	0.55
HDC6006	12.76	19.26	4.92	6.25	2.13	3.62	1.06	2.64	2 3/4"-16UN	0.83	6 1/4"-12	1.91	5.12	1/2" 13UNC	0.55
HDC6010	17.25	27.37	4.92	6.25	2.13	3.62	1.06	2.64	2 3/4"-16UN	0.83	6 1/4"-12	1.91	5.12	1/2" 13UNC	0.55
HDC10001	6.50	8.00	6.50	8.39	3.11	4.92	1.06	1.75	4"- 16UN	1.06	-	-	7.01	5/8" 11UNC	0.75
HDC10003	10.00	13.00	6.50	8.39	3.11	4.92	1.06	3.39	4"- 16UN	1.06	8 3/8"-12	2.38	7.01	5/8" 11UNC	0.75
HDC10006	13.49	19.49	6.50	8.39	3.11	4.92	1.06	3.39	4"- 16UN	1.06	8 3/8"-12	2.38	7.01	5/8" 11UNC	0.75
HDC10010	18.14	28.27	6.50	8.39	3.11	4.92	1.06	3.39	4"- 16UN	1.06	8 3/8"-12	2.38	7.01	5/8" 11UNC	0.75

BUILT TO LAST