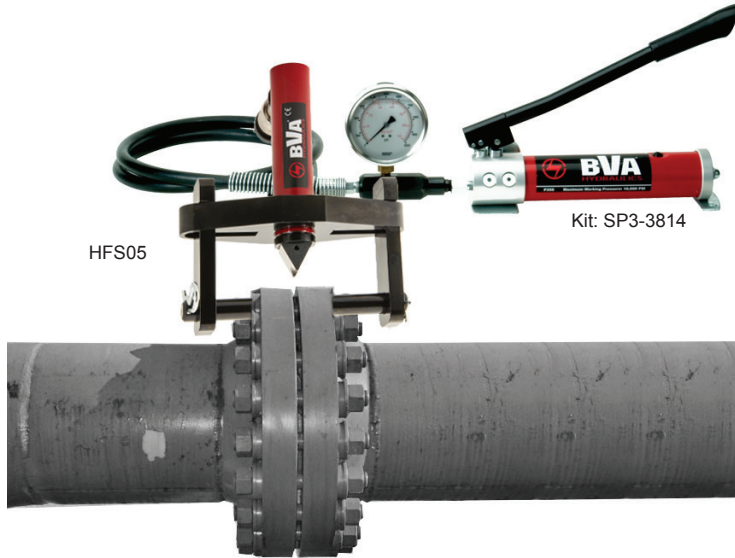


# Flange Spreader

Pin Type



HFS05

Kit: SP3-3814



SP3-3814

This combination kit works well with our Flange Spreader. See our combo section for more details.



SP5-3814

This combination kit works well with our Flange Spreader. See our combo section for more details.



HFS05

HFS10

- Designed for heavy duty industrial environment
- Adjustable jaw width for a wide range of applications and ease of use
- Spare wedge attachment comes standard

| Capacity (tons) | Model Number | Stroke (in.) | Oil Capacity (in <sup>3</sup> ) | Maximum Flange Thickness (in.) |
|-----------------|--------------|--------------|---------------------------------|--------------------------------|
| 5               | HFS05        | 1.00         | 1.00                            | 2 X 2.3                        |
| 10              | HFS10        | 2.01         | 4.50                            | 2 X 3.6                        |

# Spreaders

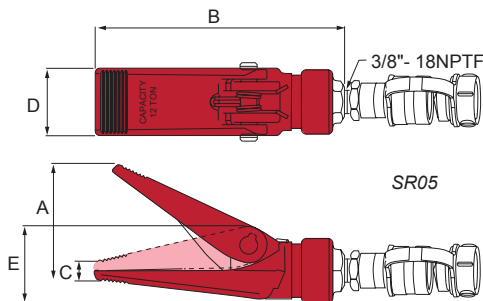
Duck Bill Spreader



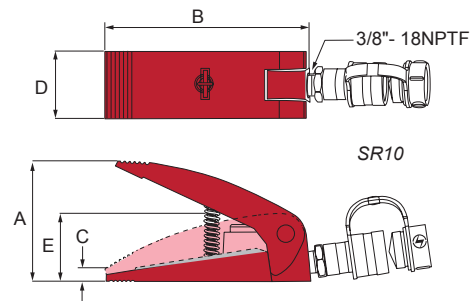
SR05

SR10

- Designed to work in confined working spaces
- Ideal for wedging, prying, and opening
- High strength forged steel
- Spring return for easy operation



SR05



SR10

| Cylinder Capacity (tons) | Model Number | Cylinder Effective Area (in <sup>2</sup> ) | Oil Capacity (in <sup>3</sup> ) | Dimensions (in) |      |      |      |      | Weight (lbs) |
|--------------------------|--------------|--|---------------------------------|-----------------|------|------|------|------|--------------|
|                          |              |  |                                 | A               | B    | C    | D    | E    |              |
| 0.5                      | SR05         | 1.22                                       | 0.58                            | 3.54            | 7.57 | 0.51 | 2.05 | 2.36 | 4.8          |
| 1                        | SR10         | 1.09                                       | 0.86                            | 3.90            | 6.57 | 0.47 | 2.17 | 2.20 | 5.1          |