



Remote Mounted Manual Control Valves Instruction Manual

MODELS: PR33, PR33C, P33L, PR33CL, PR43, PR43C, PR43L, & PR43CL

SFA Companies 10939 N. Pomona Ave. Kansas City, MO 64153

Tel: 888-332-6419 - Fax: 816-891-6599

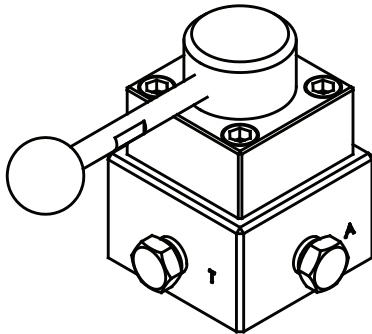
E-mail: sales@bvahydraulics.com

Website: www.bvahydraulics.com

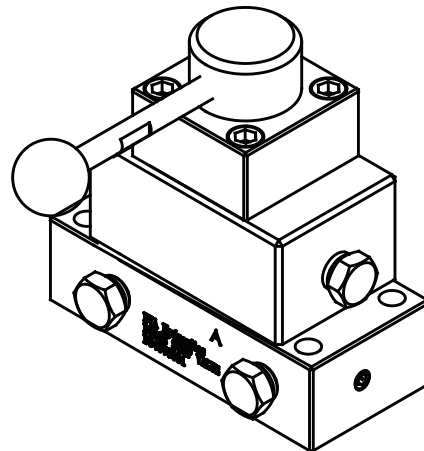


This is the safety alert symbol. It is used to alert you to potential personal injury hazards. Obey all safety messages that follow this symbol to avoid possible injury or death.

Maximum Operating Pressure 10,000 PSI




PR33, PR33C, PR43, PR43C



PR33L, PR33CL, PR43L, PR43CL

Save these instructions. For your safety, read and understand the information contained within. The owner and operator shall have an understanding of this device and safe operating procedures before attempting to use this device. Instructions and safety information shall be conveyed in operator's native language before use of this device is authorized. Make certain that the operator thoroughly understands the inherent dangers associated with the use and misuse of the product. If any doubt exists as to the safe and proper use of this product as outlined in this factory authorized manual, remove from service immediately.

Inspect before each use. It is recommended that, prior to each use, an inspection be done by qualified personnel and that any missing or damaged parts be replaced with factory authorized replacement parts only. Any valve that appears to be damaged in any way, is worn, leaking or operates abnormally shall be removed from service immediately until such time as repairs can be made. Any valve that has been or suspected to have been subject to a shock load (a load dropped suddenly, causing the system pressure to exceed 10,000 PSI), shall be removed from service immediately until checked by qualified personnel. Owners and operators of this equipment shall be aware that the use and subsequent repair of this equipment may require special training and knowledge.

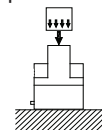
 This is the safety alert symbol. It is used to alert you to potential personal injury hazards. Obey all safety messages that follow this symbol to avoid possible injury or death.

WARNING



- Study, understand, and follow all instructions provided with and on this device before use.
- All WARNING statements must be carefully observed to help prevent personal injury.
- No alteration shall be made to this device.
- Always wear protective gear when operating hydraulic equipment.
- Keep hydraulic equipment away from flames and heat. Hydraulic fluid can ignite and burn. Do not operate if leaks are detected.
- **Crush Hazard.** Keep hands and feet away from loading area. Avoid pinch points or crush points that can be created by the load or parts of cylinder.
- To avoid crushing and related injuries: NEVER work on, under or around a lifted load before it is properly supported by appropriate mechanical means. Never rely on hydraulic pressure alone to support load.

- Under certain conditions, the use of an extension with a hydraulic cylinder may not be advisable and could present a dangerous condition.
- Cylinder must be on a stable base which is able to support the load while pushing or lifting. Ensure cylinder is fully engaged into/onto adapters, extension accessories.
- Use shims, friction material or constraints to prevent slippage of the base or load.
- Distribute the load evenly across the entire saddle surface. Do not off-center loads on a cylinder. The load can tip or the cylinder can "kick out".
- This device is not suitable for use as support device! As the load is lifted, use blocking and cribbing to guard against a falling load.
- All personnel must be clear before lowering.
- Never try to disassemble a hydraulic cylinder, refer repairs to qualified, authorized personnel.



Center load on cylinder

HYDRAULIC HOSES & FLUID TRANSMISSION LINES


HYDRAULIC CYLINDERS

- The user must be a qualified operator familiar with the correct operation, maintenance, and use of cylinders. Lack of knowledge in any of these areas can lead to personal injury.
- Do not exceed rated capacity of the cylinder or any equipment in the system.
- Burst hazard exists if hose or connection pressure exceeds rated pressure.
- Inspect cylinder, hoses and connections before each use to prevent unsafe conditions from developing. Do not use if they are damaged, altered or in poor condition. Do not use a cylinder with bent or damaged coupler or damaged threads.
- Use gauge or other load measuring instrument to verify load.
- Do not subject the cylinder to shock loads.
- Never attempt to disconnect hydraulic connections under pressure.
- Use only approved accessories and approved hydraulic fluid.
- Never attach ANY component not authorized by manufacturer.
- Never use other than factory provided and/or authorized fasteners.

- Avoid short runs of straight line tubing. Straight line runs do not provide for expansion and contraction due to pressure and/or temperature changes.
- Reduce stress in tube lines. Long tubing runs should be supported by brackets or clips. Before operating the pump, tighten all hose connections with proper tools. Do not overtighten. Connections should only be tightened securely and leak-free. Overtightening can cause premature thread failure or high pressure fittings to burst.
- Should a hydraulic hose ever rupture, burst or need to be disconnected, immediately shut off the pump and release all pressure. Never attempt to grasp a leaking pressurized hose with your hands. The force of escaping hydraulic fluid can inflict injury.
- Do not subject the hose to potential hazard such as fire, sharp objects, extreme heat or cold, or heavy impact.
- Do not allow the hose to kink, twist, curl, crush, cut or bend so tightly that the fluid flow within the hose is blocked or reduced. Periodically inspect the hose for wear.
- Do not pull, position or move setup by the hose.
- Hose material and coupler seals must be compatible with hydraulic fluid used. Hoses also must not come in contact with corrosive materials such as battery acid, creosote-impregnated objects and wet paint. Never paint a coupler or hose.
- FAILURE TO HEED THESE WARNINGS MAY RESULT IN PERSONAL INJURY AS WELL AS PROPERTY DAMAGE.

PRODUCT DESCRIPTION

BVA Remote Mounted Manual Control Valves are designed and manufactured for safe hydraulic operation to 10,000 psi. Each remote mounted valve allows operator to control fluid direction from a position away from the pump.


 *Ensure that the rated working pressure of **each** pressurized attachment be equal to or greater than the rated working pressure developed by the hydraulic pump.*


BEFORE USE

1. Before using this product, read the owner's manual completely and familiarize yourself thoroughly with the product, its components and recognize the hazards associated with its use.
2. Verify that the product and the application are compatible. If in doubt, call BVA Hydraulics Technical Service (888) 332-6419.
3. Inspect before each use. Do not use if broken, leaking or damaged components are noted.
4. Replace worn or damaged parts with BVA Hydraulics authorized replacement parts only.
5. Use adequate eye protection when operating or near this device.
6. Ensure method of confirming load is accurate and working properly. Have gauge or load cell accuracy verified by qualified personnel on a yearly basis.

SET UP

1. Connect and secure hoses, cylinders, fittings, gauges and pump etc. noting that the proper ports are connected. Always secure threaded port connections with non-hardening pipe thread compound. Take care not to introduce compound into port orifices.


 *Use an approved, high-grade pipe sealant to seal all hydraulic connections. When using teflon tape, never apply the tape over ends of fittings where it can be torn loose and get into the hydraulic system.*

 *If you are not trained and familiar with installing a valve, please have an authorized BVA service center to perform this procedure.*

OPERATION (refer to schematic flow path, page 4)

BVA Remote Mounted Valves are either tandem or closed center. Tandem centered valves allow oil to flow from the pump to tank when in the NEUTRAL position. Closed centered valves block the flow of oil from the pump when in the NEUTRAL position.

1. Tandem centered valves **must** be in "neutral" lever position before starting pump. Close centered valves must be in a lever position which will ensure a safe start up when the pump is started as fluid will begin to flow immediately and pressurize either the pump manifold or the application (cylinder, spreader, etc.).
2. PR33L, PR33CL, PR43L, and PR43CL are valves equipped with a positive locking feature, these models will not permit movement of the load when the handle is moved between positions.

 *Models **not** equipped with this feature, **PR33, PR33C, PR43, PR43C**, will reposition the load during handle movement. The amount of load movement will depend on the speed of the handle movement between detent positions.*

MAINTENANCE

1. Inspect hoses and connections daily. Replace damaged components immediately with BVA Hydraulics parts only.
2. Tighten connections as needed. Use pipe thread sealing compound when servicing connections.
3. Always use clean, approved hydraulic fluid and change as recommended or sooner if the fluid becomes contaminated (never exceed 400 hours). Follow pump manufacturers instructions for changing and adding hydraulic fluid. Use only good quality hydraulic fluid. We recommend Mobil DTE13M or equivalent when using with hand pump or air pump; BVA Hydraulics Oil (F01) or equivalent when using with electric pump. Never use brake fluid, transmission fluid, turbine oil, motor oil, alcohol, glycerin etc. Use of other than good quality hydraulic oil will void warranty and damage the cylinder, pump, hose etc.

Storage

Depressurize pump, disconnect all hydraulic lines to prevent accidental operation. Wipe the unit clean. Store in a clean, dry environment.

TROUBLESHOOTING

1. System will not build pressure.
 - a. Check pressure setting of pump, see pump's service instruction.
 - b. Check and tighten all hydraulic connections.
 - c. If trouble is not corrected, remove cylinder and hoses from the valve, place a gauge directly in valve port A and turn valve to advance position. If no pressure developed, the unit should be taken to service center. If pressure develops, the cylinder or connections are the problem.
2. Cylinder will not hold load. This is an indication of worn or damaged seals. Unit must be replaced/repared by service center.

REMOTE MOUNTED DIRECTIONAL CONTROL VALVE DIAGRAM

Valve Operation	Valve Type	Use with Cylinder	Model	Hydraulic Symbol	Schematic Flowpath		
					Advance	Hold	Retract
Remote Mounted, Manual	3-way, 3-position, Tandem Center	Single-Acting	PR33				
	4-way, 3-position, Closed Center	Double-Acting	PR43C				
	4-way, 3-position, Closed Center, Locking	Double-Acting	PR43CL				
	4-way, 3-position, Tandem Center	Double-Acting	PR43				
	3-way, 3-position, Closed Center	Single-Acting	PR33C				
	3-way, 3-position, Tandem Center, Locking	Single-Acting	PR33L				
	3-way, 3-position, Closed Center, Locking	Single-Acting	PR33CL				
	4-way, 3-position, Tandem Center, Locking	Double-Acting	PR43L				



Remote Mounted Control Valve Service Parts

MODELS: PR33, PR33C, PR43, & PR43C

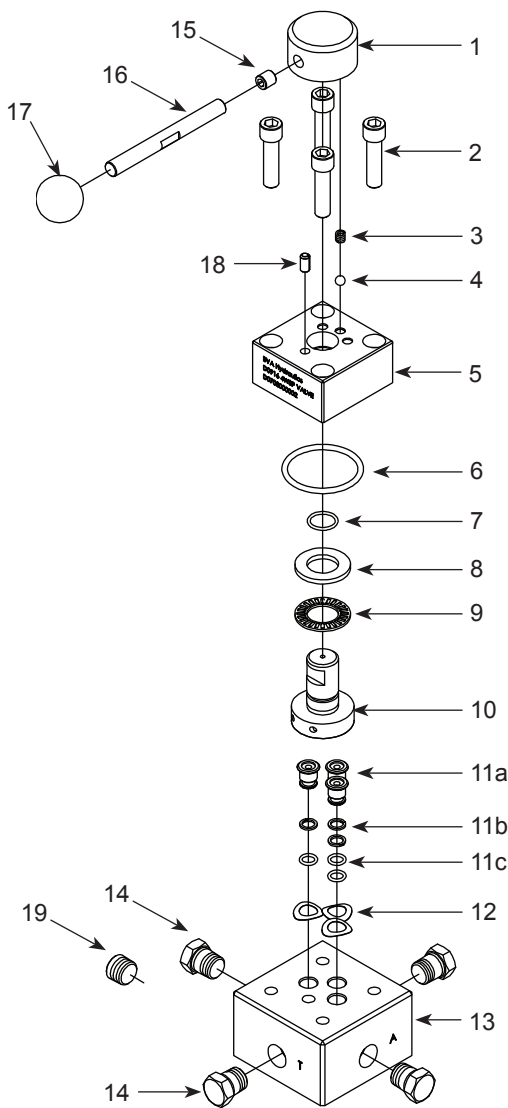
SFA Companies 10939 N. Pomona Ave. Kansas City, MO 64153

Tel: 888-332-6419 - Fax: 816-891-6599

E-mail: sales@bvahydraulics.com Website: www.bvahydraulics.com

Note: Not all components of the valve are replacement items, but are illustrated as a convenient reference of location and position in the assembly sequence.

PR33-MO
rev 1008



Item	Part No.	Description	Qty.
1	E05-6-1002-107	Cap Valve D44x25.4	1
2	649-1-0095-305	Socket Head Screw 3/8"-16UNCx1.5L	4
3	*	Spring D6.1xD1x13	1
4	*	Steel Ball, 1/4"	1
5	E05-6-1003-109	Valve Bonnet 63.5x63.5x31.8	1
6	*	O-ring, D3.5x44.45	1
7	*	O-ring, D1.8x15.8	1
8	611-3-0200-106	Washer, Thrust	1
9	622-6-0200-109	Bearing, Thrust	1
10	E05-3-1005-105 (PR33, PR43) D09-3-1006-106 (PR33C, PR43C)	Rotor Assembly	1
11	E05-4-1001-103 (PR33, PR33C: 2 pc. only)	Shear Seal Assembly	3
a	N/A	Shear Seal D14.22x14.7	1
b	*	Back-up Ring D8.1xD11x1.2T	1
c	*	O-ring D8x1.8x11.6	1
12	* (PR33, 2 pc. only)	Spring Washer 25TxD11.7xD18.85	3
13	D09-6-1025-108	Valve Block	1
14	D05-6-1001-106 (PR33, PR33C: 3pc. only)	Hex Socket Plug, 3/8NPTxH19x23L	4
15	641-1-0100-104	Socket Head Screw M10x1.5x10	1
16	E05-6-1009-101	Handle, D10x98.5	1
17	E05-6-1008-109	Knob, D30	1
18	601-4-0060-101	Roll Pin, D16x12	1
19	H18-6-8104-106 (for PR33, PR33C only)	Hex Socket Pipe Plug 3/8NPT	1
(*)	D09-3-9914-101	Repair Kit	1

*Repair Kits require special skill, training, and equipment to repair. Installation must be done by Authorized Service Center. Contact BVA for list of Authorized Service Centers.



Remote Mounted Control Valve Service Parts

MODEL: PR33L, PR33CL, PR43L, PR43CL

SFA Companies 10939 N. Pomona Ave. Kansas City, MO 64153

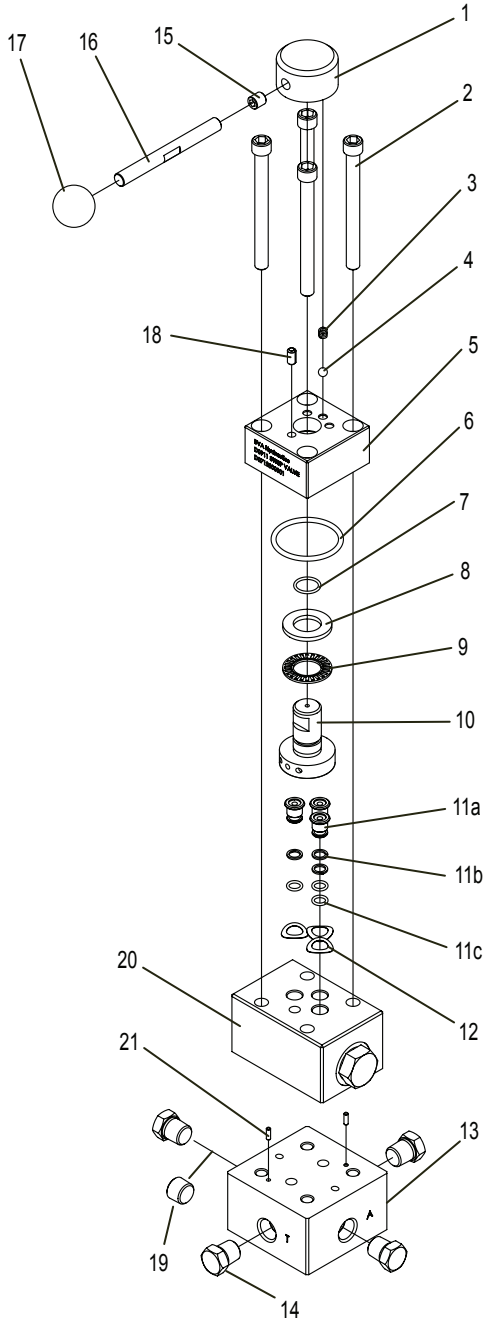
Tel: 888-332-6419 - Fax: 816-891-6599

E-mail: sales@bvahydraulics.com

Website: www.bvahydraulics.com

Note: Not all components of the valve are replacement items, but are illustrated as a convenient reference of location and position in the assembly sequence.

PR33-M0
rev 1008



Item	Part No.	Description	Qty.
1	E05-6-1002-107	Cap Valve D44x25.4	1
2	649-1-0095-406	Socket Head Screw 3/8"-16UNCx1.5L	4
3	*	Spring D6.1xD1x13	1
4	*	Steel Ball, 1/4"	1
5	E05-6-1003-109	Valve Bonnet 63.5x63.5x31.8	1
6	*	O-ring, D3.5x44.45	1
7	*	O-ring, D1.8x15.8	1
8	611-3-0200-106	Washer, Thrust	1
9	622-6-0200-109	Bearing, Thrust	1
10	D09-3-1006-106 E05-3-1005-105(PR33L, PR43L)	Rotor Assembly	1
11	E05-4-1001-103	Shear Seal Assembly	3
a	N/A	Shear Seal	1
b	*	Back-up Ring D8.1xD11x1.2T	1
c	*	O-ring D8x1.8x11.6	1
12	*	Spring Washer 25TxD11.7xD18.85	3
13	D09-6-1026-100	Valve Block	1
14	D05-6-1001-106 (PR43L, 43CL, : 4 pcs.)	Hex Socket Plug, 3/8NPTxH19x23L	3
15	641-1-0100-104	Socket Head Screw M10x1.5x10	1
16	E05-6-1009-101	Handle, D10x98.5	1
17	E05-6-1008-109	Knob, D30	1
18	601-4-0060-101	Roll Pin, D16x12	1
19	H18-6-8104-106 (PR33CL only)	Hex Socket Pipe Plug 3/8NPT	1
20	**D09-4-1005-100, (PR43L; D09-4-1004-108)	Locking Valve Assy	
21	E05-6-3001-105	Pin	
(*)	D09-3-9914-101	Repair Kit, Valve Assy	1
(**)	D09-3-9905-100	Repair Kit, Locking Valve	1

*Repair Kits require special skill, training, and equipment to repair. Installation must be done by Authorized Service Center. Contact BVA for list of Authorized Service Centers.

LIFETIME LIMITED WARRANTY

BVA Hydraulics®, represented in the United States by Shinn Fu Company of America, Inc. ["SFA"] warrants this product to be free from defects in material and workmanship for the life of the product as long as the original purchaser owns the product. The warranty is non-transferable and is subject to the terms, exclusions, and limitations described below:

- Damaged components, including but not limited to bent rams, dented or crushed cylinder walls, broken welds or couplers as well as worn out seals, o-rings and springs are the result of misuse and not covered by warranty and BVA Hydraulics will not provide any warranty credit for such damaged components.
- This warranty does not cover ordinary wear and tear, overloading, alterations (including repairs or attempted repairs not performed by BVA Hydraulics or one of its authorized personnel), improper fluid use, or use of the product in any manner for which the product was not intended or the use of which is not in accordance with the instructions or warnings provided with the product.
- In the unlikely event that a BVA Hydraulics product fails due to material defect in workmanship, you may contact SFA for disposition. In such cases, the customer's sole and exclusive remedy for any breach or alleged breach of warranty is limited to the repair or replacement of the defective product.
- Under no circumstances is BVA Hydraulics liable for any consequential or incidental damage or loss whatsoever.
- THIS WARRANTY IS LIMITED TO NEW PRODUCTS SOLD THROUGH AUTHORIZED DISTRIBUTORS AND OTHER CHANNELS DESIGNATED BY BVA HYDRAULICS. NO AGENT, EMPLOYEE OR OTHER REPRESENTATIVE OF BVA HYDRAULICS IS AUTHORIZED TO MODIFY THIS WARRANTY.
- THE FOREGOING IS EXCLUSIVE AND IS IN LIEU OF ALL OTHER EXPRESS AND IMPLIED WARRANTIES, INCLUDING BUT NOT LIMITED TO THE IMPLIED WARRANTIES OF MERCHANTABILITY AND FOR A FITNESS FOR A PARTICULAR PURPOSE.
- Components not manufactured by BVA Hydraulics including certain motor systems, gasoline engines, and others are not covered by this warranty and instead are covered by the manufacturer's separate manufacturer's warranty provided in the package.
- BVA Hydraulics' liability in all cases is limited to, and will not exceed the purchase price paid for the product.

SFA Companies
10939 N. Pomona Ave. Kansas City, MO 64153
Tel: 888-332-6419
E-mail: sales@bvahydraulics.com

