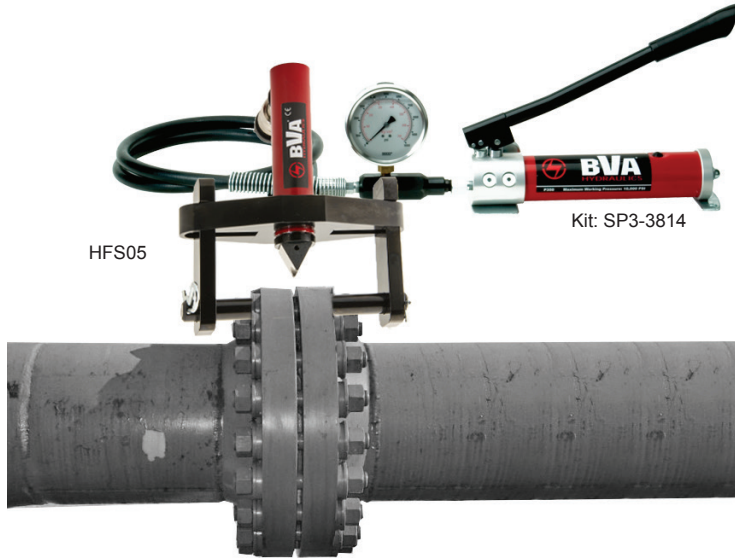


Flange Spreader

Pin Type



HFS05

Kit: SP3-3814



SP3-3814

This combination kit works well with our Flange Spreader. See our combo section for more details.



SP5-3814

This combination kit works well with our Flange Spreader. See our combo section for more details.



HFS05

HFS10

- Designed for heavy duty industrial environment
- Adjustable jaw width for a wide range of applications and ease of use
- Spare wedge attachment comes standard

Capacity (tons)	Model Number	Stroke (in.)	Oil Capacity (in ³)	Maximum Flange Thickness (in.)
5	HFS05	1.00	1.00	2 X 2.3
10	HFS10	2.01	4.50	2 X 3.6

Spreaders

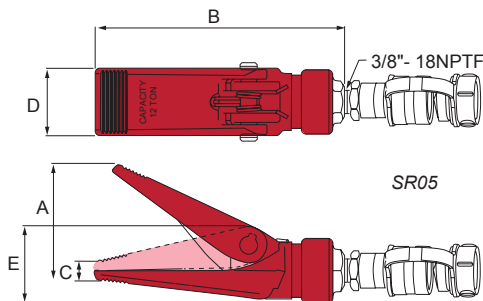
Duck Bill Spreader



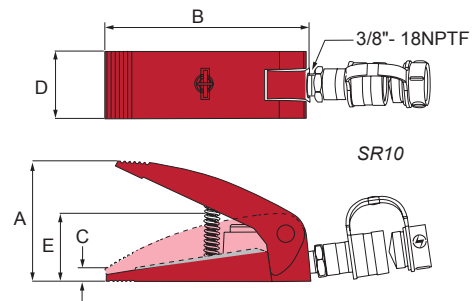
SR05

SR10

- Designed to work in confined working spaces
- Ideal for wedging, prying, and opening
- High strength forged steel
- Spring return for easy operation



SR05



SR10

Cylinder Capacity (tons)	Model Number	Cylinder Effective Area (in ²)	Oil Capacity (in ³)	Dimensions (in)					Weight (lbs)
				A	B	C	D	E	
0.5	SR05	1.22	0.58	3.54	7.57	0.51	2.05	2.36	4.8
1	SR10	1.09	0.86	3.90	6.57	0.47	2.17	2.20	5.1